

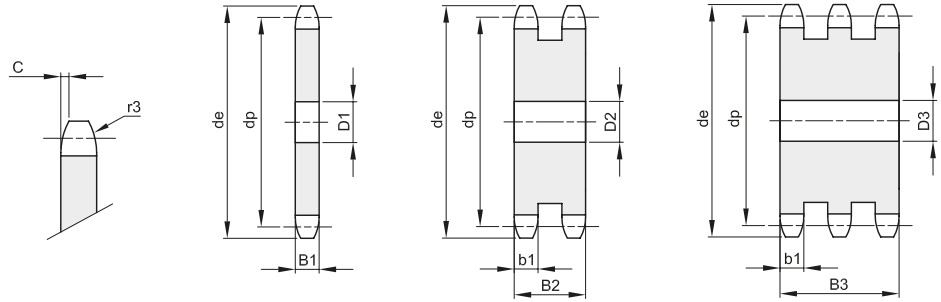


CORONE PER CATENE A RULLI - DIN 8187 - ISO 606

PLATE WHEELS FOR ROLLER CHAINS - DIN 8187 - ISO 606

1"3/4 x 1"1/4
44,45 x 30,99 mm
 Rullo 27,94 mm
28B - 1 - 2 - 3

| B1 | B2 | B3 | b1 | C | r3 |
|------|------|-----|------|---|----|
| 29,4 | 88,4 | 148 | 28,8 | 5 | 44 |



| Z | de | dp | semplici | | | doppi | | | tripli | | |
|----|--------|---------|-----------|----|--------|-----------|----|--------|-----------|----|---------|
| | | | codice | D1 | Kg. | codice | D2 | Kg. | codice | D3 | Kg. |
| 8 | 132,0 | 116,15 | 201440008 | 20 | 1,71 | 202440008 | 25 | 4,01 | 203440008 | 25 | 6,39 |
| 9 | 146,0 | 129,96 | 201440009 | 20 | 2,26 | 202440009 | 25 | 5,48 | 203440009 | 25 | 8,80 |
| 10 | 160,0 | 143,85 | 201440010 | 20 | 2,88 | 202440010 | 25 | 7,17 | 203440010 | 25 | 11,56 |
| 11 | 174,0 | 157,77 | 201440011 | 25 | 3,53 | 202440011 | 30 | 8,92 | 203440011 | 30 | 14,44 |
| 12 | 188,0 | 171,74 | 201440012 | 25 | 4,29 | 202440012 | 30 | 11,04 | 203440012 | 30 | 17,93 |
| 13 | 204,0 | 185,75 | 201440013 | 25 | 5,12 | 202440013 | 30 | 13,38 | 203440013 | 30 | 21,79 |
| 14 | 218,0 | 199,76 | 201440014 | 25 | 6,03 | 202440014 | 30 | 15,94 | 203440014 | 30 | 26,02 |
| 15 | 232,0 | 213,79 | 201440015 | 25 | 7,01 | 202440015 | 30 | 18,72 | 203440015 | 30 | 30,61 |
| 16 | 246,0 | 227,84 | 201440016 | 30 | 8,02 | 202440016 | 30 | 21,71 | 203440016 | 30 | 35,57 |
| 17 | 260,0 | 241,90 | 201440017 | 30 | 9,14 | 202440017 | 30 | 24,92 | 203440017 | 30 | 40,89 |
| 18 | 274,0 | 255,98 | 201440018 | 30 | 10,34 | 202440018 | 30 | 28,36 | 203440018 | 30 | 46,58 |
| 19 | 289,0 | 270,06 | 201440019 | 30 | 11,61 | 202440019 | 30 | 32,00 | 203440019 | 30 | 52,64 |
| 20 | 303,0 | 284,15 | 201440020 | 30 | 12,95 | 202440020 | 30 | 35,87 | 203440020 | 30 | 59,06 |
| 21 | 317,0 | 298,24 | 201440021 | 30 | 14,37 | 202440021 | 30 | 39,96 | 203440021 | 40 | 65,20 |
| 22 | 331,0 | 312,34 | 201440022 | 30 | 15,86 | 202440022 | 30 | 44,26 | | | |
| 23 | 345,0 | 326,44 | 201440023 | 30 | 17,42 | 202440023 | 30 | 48,78 | 203440023 | 40 | 79,87 |
| 24 | 359,0 | 340,55 | 201440024 | 30 | 19,05 | | | | | | |
| 25 | 373,0 | 354,66 | 201440025 | 30 | 20,76 | 202440025 | 30 | 58,50 | 203440025 | 40 | 95,99 |
| 26 | 387,0 | 368,77 | 201440026 | 30 | 22,54 | 202440026 | 40 | 63,28 | | | |
| 27 | 401,0 | 382,88 | 201440027 | 30 | 24,39 | | | | | | |
| 28 | 416,0 | 397,00 | 201440028 | 30 | 26,32 | 202440028 | 40 | 74,29 | | | |
| 30 | 444,0 | 425,24 | 201440030 | 30 | 30,38 | 202440030 | 40 | 86,17 | 203440030 | 40 | 142,70 |
| 32 | 472,0 | 453,49 | 201440032 | 30 | 34,74 | | | | | | |
| 34 | 500,0 | 481,75 | 201440034 | 30 | 39,38 | | | | | | |
| 35 | 514,0 | 495,88 | 201440035 | 30 | 41,82 | 202440035 | 40 | 119,69 | | | |
| 36 | 529,0 | 510,01 | 201440036 | 30 | 44,32 | | | | | | |
| 38 | 557,0 | 538,27 | 201440038 | 30 | 49,55 | 202440038 | 40 | 142,42 | 203440038 | 40 | 236,43 |
| 40 | 585,0 | 566,54 | 201440040 | 30 | 55,07 | 202440040 | 40 | 158,67 | 203440040 | 40 | 263,52 |
| 45 | 656,0 | 637,22 | 201440045 | 30 | 70,13 | 202440045 | 40 | 203,10 | 203440045 | 40 | 337,73 |
| 50 | 726,0 | 707,91 | 201440050 | 30 | 87,01 | 202440050 | 40 | 252,99 | | | |
| 57 | 825,0 | 806,90 | 201440057 | 40 | 113,56 | 202440057 | 40 | 332,00 | 203440057 | 40 | 552,76 |
| 60 | 869,0 | 849,32 | 201440060 | 40 | 126,08 | | | | | | |
| 76 | 1095,0 | 1075,62 | 201440076 | 40 | 203,89 | 202440076 | 40 | 600,35 | 203440076 | 40 | 1000,97 |