

PIGNONI TENDICATENA - Tipo: PTC / CHAIN TIGHTENER PINIONS - Type: PTC

MATERIALI Acciaio

TRATTAMENTI Corona con trattamento di zincatura.

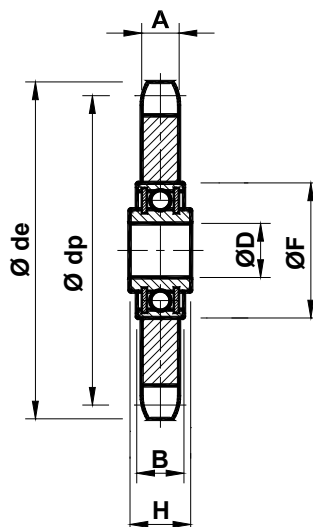
IMPIEGO Il pignone è costituito da una corona in acciaio, montata su cuscinetti nazionali a base maggiorata. A richiesta si possono fornire con cuscinetti INA. Sono utilizzati per tensionamenti manuali o per la realizzazione di rinvi.

MATERIALS Steel

TREATMENTS The crown wheel is zinc plated

USE The sprocket consists of a steel crown, installed on enlarged bearings. On demand we can supply the sprocket with INA bearing.

They are used for manual chain tensioning or for the realization of gear transmissions.



Tipo Type	Cod. N°	Catena Chain	Z	Ø de	Ø dp	A	B	Ø D	Ø F	H	Peso Weight in Kg
PTC 1-21	TB001195	3/8" x 7/32"	21	68.0	63.90	5.3	12	16 ^{+0.26} _{+0.13}	40	18.3	0.17
PTC 2-14	TB001216	1/2" x 5/16"	14	61.9	57.07	7.2	12	16 ^{+0.26} _{+0.13}	40	18.3	0.15
PTC 2-15	TB001205	1/2" x 5/16"	15	66.8	61.09	7.2	12	16 ^{+0.26} _{+0.13}	40	18.3	0.16
PTC 2-16	TB001196	1/2" x 5/16"	16	69.5	65.10	7.2	12	16 ^{+0.26} _{+0.13}	40	18.3	0.18
PTC 2-17	TB001175	1/2" x 5/16"	17	74.0	69.11	7.2	12	16 ^{+0.26} _{+0.13}	40	18.3	0.21
PTC 2-18	TB001197	1/2" x 5/16"	18	77.8	73.14	7.2	12	16 ^{+0.26} _{+0.13}	40	18.3	0.23
PTC 3-14	TB001198	5/8" x 3/8"	14	78.0	71.34	9.1	12	16 ^{+0.26} _{+0.13}	40	18.3	0.24
PTC 3-15	TB001215	5/8" x 3/8"	15	83.0	76.36	9.1	12	16 ^{+0.26} _{+0.13}	40	18.3	0.28
PTC 3-16	TB001176	5/8" x 3/8"	16	88.3	81.37	9.1	12	16 ^{+0.26} _{+0.13}	40	18.3	0.34
PTC 3-17	TB001199	5/8" x 3/8"	17	93.0	86.39	9.1	12	16 ^{+0.26} _{+0.13}	40	18.3	0.36
PTC 4-13	TB001204	3/4" x 7/16"	13	87.5	79.59	11.1	12	16 ^{+0.26} _{+0.13}	40	18.3	0.42
PTC 4-14	TB001177	3/4" x 7/16"	14	93.8	85.61	11.1	12	16 ^{+0.26} _{+0.13}	40	18.3	0.44
PTC 4-15	TB001200	3/4" x 7/16"	15	99.8	91.63	11.1	12	16 ^{+0.26} _{+0.13}	40	18.3	0.46
PTC 5-12	TB001201	1" x 17.02mm	12	109.0	98.14	16.2	14	20 ^{+0.10} _{-0.00}	47	17.7	0.74
PTC 6-13	TB001202	1"1/4 x 3/4"	13	147.8	132.65	18.5	15	25 ^{+0.00} _{-0.01}	52	21.0	1.60
PTC 7-11/20	TB001203	1"1/2 x 1"	11	149.0	135.21	24.1	30.0	20 ^{+0.00} _{-0.01}	52	30.0	2.07
PTC 7-11/25	TBA01203	1"1/2 x 1"	11	149.0	135.21	24.1	30.0	25 ^{+0.00} _{-0.01}	52	30.0	2.09



CUSCINETTI A SFERA / BALL BEARING

Tipo Type	Cod. N°	d	D	A	B	Peso Weight in Kg
203 KRR AH 02	BU008530	16 ^{+0.13} _{+0.26}	40	12	18.3	0.082
204 KRR	BU008531	20 ^{+0.10} _{-0.00}	47	14	17.7	0.115
205 KRR	BU008534	25 ^{+0.00} _{-0.01}	52	15	21.0	0.149

